

Graphic Operator Panel I-LINK



Graphic Operator Station I-LINK

GOP Industrial Panel Family provides an efficient and user-friendly dedicated operator interface for machine and process control applications. Panels can be customised easily and with low cost for use in various application areas.

GOP I-LINK is capable of displaying a mix of alphanumeric and graphical user data with fast response. Special, programmable graphical symbols enhance the user interface and enable information and commands to be displayed as symbols or in languages using symbolic characters.

GOP I-LINK offers a rugged design and it complies with demanding heavy industry, transportation and building environmental specifications.

The most noteworthy feature of GOP I-LINK is its thinness, what makes it ideal for various wall mount information display applications, such as building automation, elevators and information desks.

Designed for industrial use, the 10"4 full colour TFT LCD display of GOP I-LINK features a wide viewing angle, sharp contrast and wide temperature range.

Specification

Interfaces

GOP I-LINK is delivered in two interface options: I-LINK Sertrans with a dedicated RS-232 serial Modbus protocol and I-LINK LON with a LON-interface implemented over a multidrop RS-485 line. The latter has separate RS-232 test socket that is used to download the software and diagnose the equipment.

Encapsulation

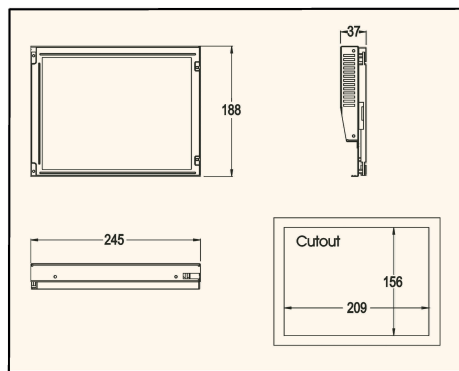
GOP I-LINK is delivered in two case options: a flush mount version for desk assemblies and a surface mount version for wall mounting, when a separate surface mount case is used.

Tools

GOPs are configured using a Windows-based tool program, GOPTool. GOPTool offers graphical drawing tools to design display layout, parameter settings for communication and logical operations as well as calculations to create panel functionality. Common graphical presentations, such as bar charts and trend curves, are supported. Panel configuration can be tested and verified in a Windows environment before it is transferred to the panel from a PC. Configurations as well as the internal panel software are stored in a re-programmable flash memory inside the panel.

GOP I-LINK Technical Data

Sertrans	Full colour TFT LCD display, 640x480 pixels RS-232 interface for Modbus and test socket purposes
LON	Full colour TFT LCD display, 640x480 pixels RS-485 interface for LON RS-232 interface for test socket purposes



- Physical dimensions: width 245 mm, height 188 mm, depth 37 mm (mounting cutout: 209 x 156 mm)
- Weight: 2.5 kg
- Power supply: 24 V DC nominal (18-36V), 22 W
- Operating temperature range: +0 to +40° Celsius

I-LINK Sertrans

- Modbus & programming interface: RS-232, selectable baud rate (9600-115200 bps), Phoenix 6-pin connector MSTB 2.5/6ST

I-LINK LON

- LON interface: RS-485, differential, half duplex, multidrop, 78000 bps, Molex Mini-fit 6-pin and 10-pin 90 deg. connectors
- Separate programming interface: RS-232, selectable baud rate, female 9-pin D-connector (9600-115200 bps)

Accessories

- Windows-based programming software, GOPTool
- Surface mount mechanics

Ordering Reference

10501 GOP I-LINK LON
10502 GOP I-LINK Sertrans
28500112 Surface Mount Mechanics



GENERA OY

Niittylänpolku 16 Box 16 - FIN-00621 Helsinki, Finland
Tel. +358 9 435 340 - Fax +358 9 420 8711 - info@genera.fi - www.genera.fi