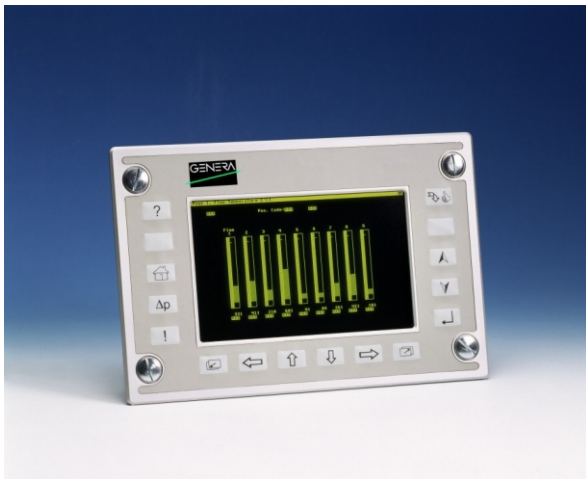


Graphic Operator Panel GOP 9



Graphic Operator Station GOP 9

The GOP Industrial Panel provides an efficient and user-friendly dedicated operator interface. GOP 9 can be easily installed in enclosures or desks close to the machinery. GOP's reliability is based on a careful selection of components and on minimising the quantity of components in the design.

The main task of GOP 9 is to provide a user interface for machines and process control.

The GOP 9 is capable of displaying a mix of alphanumerical and graphical user data in real time. Special, programmable graphical symbols enhance the user interface and enable information and commands to be displayed as symbols or in languages using graphic characters such as Chinese.

GOP 9 offers a rugged design made to withstand the demanding environment in industrial applications. It complies with the requirements of pulp and paper, metal and chemical industry.

GOP 9 is easily operated with 16 keys on a programmable keypad. Using these keys, the operator can select functions, initiate actions, or select displays. The custom designed keypads are field serviceable.

640 x 400 pixel Flat EL display allows a perfect fit to customers' needs. It features a wide viewing angle, sharp contrast and wide temperature range.

The GOP 9 panel can be customised easily and with low costs for use in different industrial areas.

SPECIFICATION

Interfaces

GOP 9 has two communication ports: communication with the host application takes place over a multi-drop RS-485 line using a dedicated serial Modbus protocol. The RS-232 test socket is used to download the software and diagnose the equipment.

Tools

GOP 9 is configured using a Windows-based tool program, TOPTool. TOPTool offers text based simulation instruments to design display layout, parameter settings for communication and logical operations as well as calculations to create panel functionality. Graphical presentations such as bar charts are supported. Panel configuration can be tested and verified in a Windows environment before it is transferred to the panel from a PC. The internal panel software and the configuration are stored in a re-programmable flash memory inside the panel.

GOP 9 Technical Data

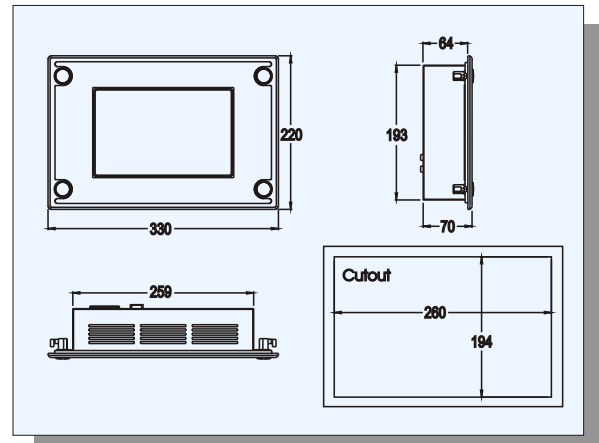
High resolution monochrome EL display, 640 x 400 pixels, colour amber

Physical dimensions:

width 330 mm, height 220 mm, depth 70 mm

Weight: 3 kg

Power supply: 24V DC nominal, (18-36 V), 20 W max.



Modbus interface: RS-485, differential, half duplex, multi-drop, up to 19200 bps, standard Phoenix 8-pin isolated connector MSTB 2.5/8ST
Programming interface: isolated RS-232, selectable baud rate, female 9-pin D-connector
Front panel protection class: IP65
Operating temperature range: -0 to +55° Celsius, option 0 to +65°. Non-operating -25 to +75

Accessories

Windows-based programming software
TOPTool
Programming cable
Waterproof housing
Safety cover
Customised communication protocols, and custom design keypad

Ordering reference:

10119 GOP 9
10115 TOPTool Configuration Software



GENERA OY

Niittylänpolku 16 Box 16 - FIN-00621 Helsinki, Finland
Tel. +358 9 435 340 - Fax +358 9 420 8711 - info@genera.fi - www.genera.fi