

Graphic Operator Panels

GOP 7b, 7c



Graphic Operator Station GOP 7b

The GOP Transport Panel provides an efficient and user-friendly dedicated operator interface, especially designed for use in the transportation industry. GOP 7 can be easily installed to desks, to cubicle doors or 3U high Euro-racks (19 inch racks). GOP's reliability is based on a careful selection of components, on minimising the quantity of components in the design and on the good protection of interfaces.

The main task of GOP 7b, 7c is to provide a user interface for vehicles, machines and process control. GENERA's reliable panels can be customised easily and with low cost for use in different industrial areas.

The GOP 7b and 7c, respectively, are capable of displaying a mix of alphanumeric and graphical user data with fast response. Special, programmable graphical symbols enhance the user interface and enable information and commands to be displayed as symbols or in languages using graphic characters such as Chinese.

GOP 7 offers a rugged design – made to withstand the demanding environment in transportation and industry applications. It complies with the requirements of railway and marine applications as well as of pulp and paper and metal industry.

GOP 7 is easily operated with 15 to 20 keys on a programmable keypad. Using these keys, the operator can select functions, initiate actions, or select displays. The custom designed keypads are field serviceable.

The standard ¼ VGA Flat EL display or full colour TFT LCD display allows perfect fit to customers' needs.

SPECIFICATION

Interfaces

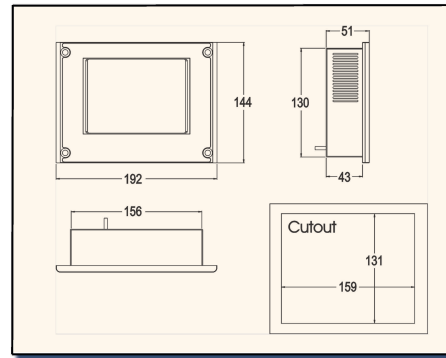
GOP 7b, 7c have two communication ports: communication with the host application takes place over a multi-drop RS-485 line using a dedicated serial Modbus protocol. The RS-232 test socket is used to download the software and diagnose the equipment.

Tools

GOP 7 is configured using a Windows-based tool program, TOPTool. TOPTool offers text-defining simulation tools to design display layout, parameter settings for communication and logical operations as well as calculations to create panel functionality. Graphical presentations such as bar charts are supported. Panel configuration can be tested and verified in a Windows environment before it is transferred to the panel from a PC. Internal panel software and configuration are stored in a re-programmable flash memory inside the panel.

GOP 7 Technical Data

- High resolution monochrome EL display, 320 x 240 pixels, colour amber
- Physical dimensions:
 - GOP 7b:
width 192 mm, height 144 mm, depth 52 mm
(mounting cut-out: 159 x 131 mm)
 - GOP 7c:
width 198 mm, height 128 mm, depth 59 mm
(mounting cut-out: 167 x 110 mm)
- Weight: 1 kg
- Power supply: 24V DC nominal, (18-36 V), 15 W max, 12 V optional.



GOP 7b

- Modbus interface: RS-485, differential, half duplex, multi-drop, up to 19200 bps, standard Phoenix 8-pin isolated connector MSTB 2.5/8ST
- Programming interface: isolated RS-232, selectable baud rate, female 9-pin D-connector
- Isolated Modbus and programming interface standard for GOP 7b, optional for GOP 7c
- Front panel protection class: IP65
- Operating temperature range: -40 to +65° Celsius.

Accessories

- Windows-based programming software TOPTool
- Programming cable

Customised panel versions: Profibus, LON bus and Ethernet TCP/IP communication protocols, buzzers, custom design keypad

Ordering reference:

- 10107 GOP 7b
- 10109 GOP 7c
- 10115 TOPTool Configuration Software



GENERA OY

Niittylänpolku 16 Box 16 - FIN-00621 Helsinki, Finland
Tel. +358 9 435 340 - Fax +358 9 420 8711 - info@genera.fi - www.genera.fi