

Graphical Operator Panel

G2010 A 10.4-ST



Graphical Operator Panel G2010 A 10.4-ST

The G2010 A 10.4-ST Graphical Operator Panel provides an efficient and user-friendly dedicated operator interface for machine process control applications. Designed for harsh environments, the G2010 Panel can be installed in enclosures or desks close to the machinery.

The panel is capable of displaying a mix of alphanumeric and graphical user data with fast response. G2010 has a support for user defined fonts, including languages using graphical fonts, such as Chinese.

Panel's rugged design and IP65 classified front panel, as well as CE-mark acceptance criteria according to the heavy industry requirements enhance the longevity of the applications in the harsh environment of industrial solutions. The back cover is protected against dust.

G2010 10.4-ST is easily operated with 18 keys on a programmable keypad. Using these keys, the operator can select functions, initiate actions, or select displays.

Designed for industrial use, the 10"4 full colour TFT LCD display of the G2010 features a wide viewing angle, sharp contrast and wide temperature range.

SPECIFICATION

Interfaces

G2010 A 10.4-ST has three isolated interface ports:

1. RS-485
2. Profibus
3. Ethernet

Depending the needs of an application one or more of these interfaces can be used simultaneously. For example Modbus protocol can be used via RS-485 and Ethernet ports. An RS-232 port is also provided as an alternative to Ethernet way for testing and program downloading.

Applications

G2010 A panel can be used in several various ways:

1. Graphical Operator panel configured by our high level Windows based tool program GOPTool
2. Remote desktop client (TCP/IP via Ethernet)
3. As a panel computer with Embedded Linux Operating system

The G2010 A panel supports Modbus RTU (slave and master) and Profibus DP (slave) protocols.

G2010 A 10.4-ST Technical Data

Full colour 10"4 TFT LCD display, 640x480 pixels. Typical horizontal and vertical viewing angle: 170 degrees.

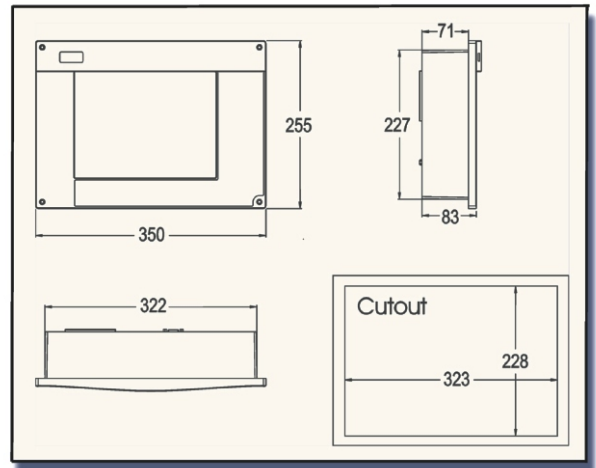
Membrane keyboard with 18 push-button elements

Physical dimensions: width 350 mm, height 255 mm, depth 83 mm (mounting cutout: 323 x 228 mm)

Weight: 5 kg

Power supply: 24V-48V DC nominal (18-72V)

Isolated Modbus interface: RS-485, differential, half duplex, multi-drop, 9600 - 57 600 bps, standard Phoenix 8-pin connector MSTB 2.5/8-ST



Isolated Programming interface: RS-232, selectable baud rate, female 9-pin D-connector (9 600-115 200 bps)
Isolated Profibus interface: Profibus-DP (slave), selectable baud rate, female 9-pin D-connector (9 600-1 500 000 bps)
Ethernet, 10 Mbs, RJ-45 connector
Operating temperature range: 0 to +55°C
Vibration: 5Hz-13,2Hz displacement ±1mm. 13,2Hz-100Hz acceleration of 0,7g.
EMC approvals: IEC61000-6-4:2001
IEC61000-6-2:2001

Accessories

Windows-based programming software
GOP Tool
GOP Numeric keypad

Customized Panel versions

Optional interfaces: LON, CAN, MVB, USB.
Optional features: Lamps, buzzers, extended temperature range, custom design keypad, various display options

Ordering reference

10133 G2010 A 10.4-ST Graphical Operator Panel
10112 GOP Tool Configuration software
10111 GOP Numeric keypad



GENERA OY

Niittylänpolku 16 Box 16 - FIN-00621 Helsinki, Finland
Tel. +358 20 7450300 - Fax +358 20 7450360 - info@genera.fi - www.genera.fi