

Graphic Operator Panel

GOP 2000



GOP 2000 Operator Panel

The GOP 2000 Industrial Panel provides an efficient and user-friendly dedicated operator interface for machine and process control applications. Designed for harsh environments, the GOP panel can be installed in enclosures or desks close to the machinery.

The GOP 2000 is capable of displaying a mix of alphanumeric and graphical user data with fast response. Special, programmable graphical symbols enhance the user interface and enable information and commands to be displayed as symbols or in languages using graphic characters such as Chinese.

GOP's rugged design and IP65 level front panel, as well as CE-mark acceptance criteria according to the heavy industry requirements enhance the longevity of the applications in the harsh environment of industrial solutions. The back cover is firmly protected against dust.

GOP 2000 is easily operated with 17 keys on a programmable keypad. Using these keys, the operator can select functions, initiate actions, or select displays.

Designed for industrial use, the 5"7 full colour TFT LCD display of the GOP 2000 features a wide viewing angle, sharp contrast and wide temperature range.

SPECIFICATION

Interfaces

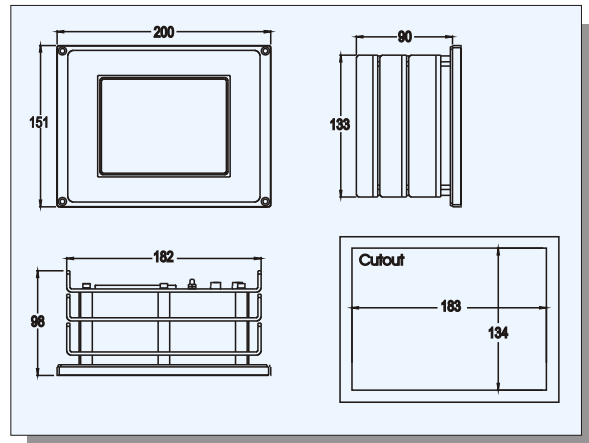
GOP 2000 has three communication ports: communication with the host application takes place over a multi-drop RS-485 line using a dedicated serial Modbus protocol. The RS-232 test socket is used to download the software and diagnose the equipment. The Modbus protocol can be used for both interfaces. The Profibus provides faster communication with the host and it is provided as an alternative to RS-485.

Tools

GOPs are configured using a Windows-based tool program, GOPTool. GOPTool offers graphical drawing tools to design display layout, parameter settings for communication and logical operations as well as calculations to create panel functionality. Common graphical presentations, such as bar charts and trend curves, are supported. Panel configuration can be tested and verified in a Windows environment before it is transferred to the panel from a PC. Configurations as well as the internal panel software are stored in a re-programmable flash memory inside the panel.

GOP 2000 Technical Data

- Full colour TFT LCD display, ¼ VGA (320x240 pixels)
- Membrane keyboard with 17 push-button elements
- Physical dimensions: width 200 mm, height 151 mm, depth 98 mm (mounting cut-out: 183 x 134 mm)
- Weight: 2 kg
- Power supply: 48V DC nominal (36-72V), 15W
- Isolated Modbus interface: RS-485, differential, half duplex, multi-drop, 9600 - 57 600 bps, standard Phoenix 8-pin connector MSTB 2.5/8-ST
- Isolated Programming interface: RS-232, selectable baud rate, female 9-pin D-connector (9 600-115 200 bps)
- Isolated Profibus interface: Profibus-DP (slave), selectable baud rate, female 9-pin D-connector (9 600-1 500 000 bps)
- Operating temperature range: +0 to +50°



Accessories

- Windows-based programming software, GOPTool
- GOP numeric keypad
- Customised panel versions: LON bus and Ethernet TCP/IP communication protocols, lamps, buzzers, -40 to +65° Celsius extended temperature range, custom design keypad, various display options

Ordering reference

- K10117 GOP 2000 Control Panel
- 10112 GOPTool Configuration Software
- 10111 GOP Numeric keypad



GENERA OY

Niittylänpolku 16 Box 16 - FIN-00621 Helsinki, Finland
Tel. +358 9 435 340 - Fax +358 9 420 8711 - info@genera.fi - www.genera.fi